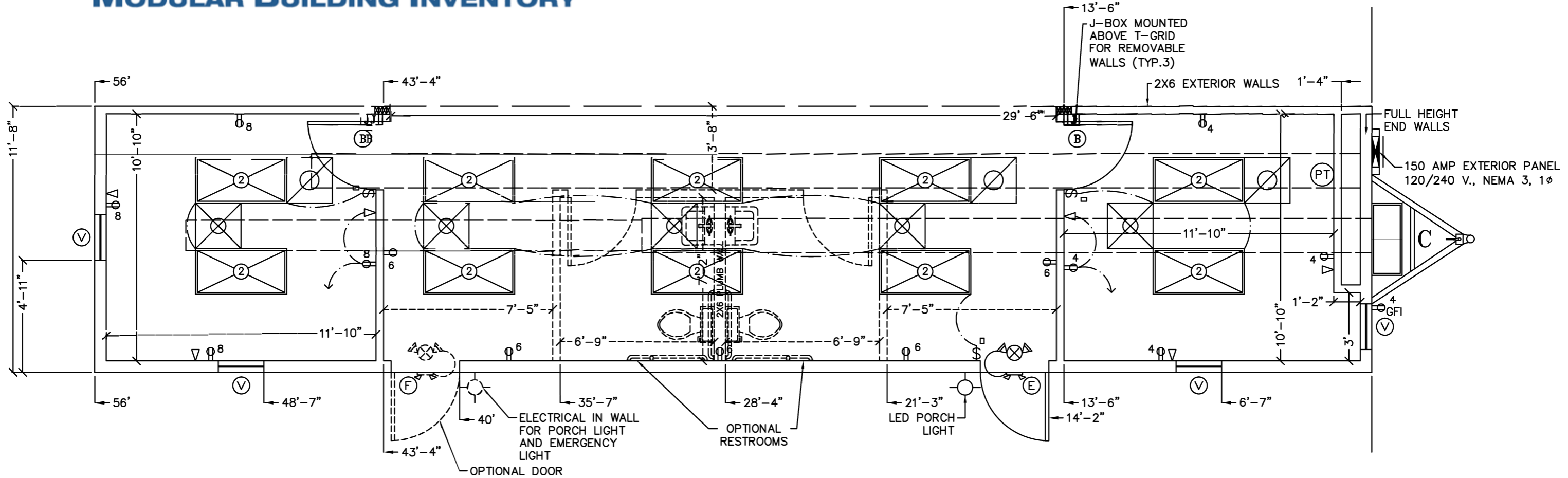


# MODULAR BUILDING INVENTORY



SYMBOL	DOOR SCHEDULE	TOTAL
(B)	36"X80" SOLID CORE IMPERIAL OAK W/REDIFRAME	2
(E)	36"X80" STEEL/STEEL W/6"X30" VIEW PANEL	1
(F)	36"X80" OPTIONAL DOOR	1

SYMBOL	WINDOW SCHEDULE	TOTAL
(V)	24"X54" VERTICAL SLIDE, INSULATED WHITE VINYL	4

Single Wide 12 x 56 Floor Plan C